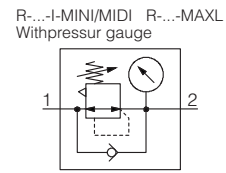
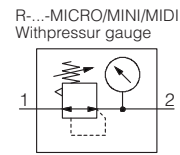




Symbol



Installation and use

The R maintain im putting constant operating pressure despite fluctuation in Line pressure and the amount of air consumed.

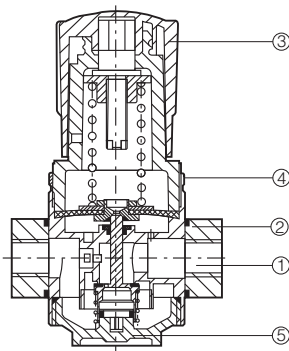
Ordering code

OR	□	7	MINI	E
Series	Port size	Working Pressure	Size	Shell material
OR Regulator	G1/8" G1/2"	Blank 12bar	MINI	Blank Zinc
	G1/4" G3/4"	7 7bar	MIDI	E Alu.
	G3/8" G1"		MAXI	

Specification

Size	Micro					Mini				Midi			Maxi		
Pneumatic connection	M5	M7	G1/8	QS4	QS6	G1/8	G1/4	G3/8	G1/4	G3/8	G1/2	G3/4	G1/2	G3/4	G1
Operating medium	Compressed air					Filtered compressed air, lubricated or unlubricated, grade of filtration 40µm.									
Design	Directly actuated diaphragm regulator												Pilot actuated piston regulator		
													Directly actuated diaphragm regulator		
Type of mounting	Via accessories														
	In-line installation														
	Front panel mounting														
Assembly position	Any														
Regulator lock	Rotary knob with lock														
Input pressure (bar)	1...10					1...16									
Max. hysteresis (bar)	0.3					0.2								0.4	
Pressure regulation range (bar)	0.5...7					0.5...7						0.5...12			
Pressure indication	Via pressure gauge														
	M5 Prepared					G1 8 Prepared				G1 4 Prepared					

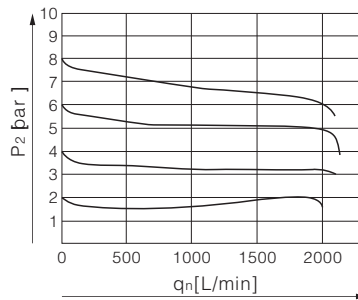
Inner structure



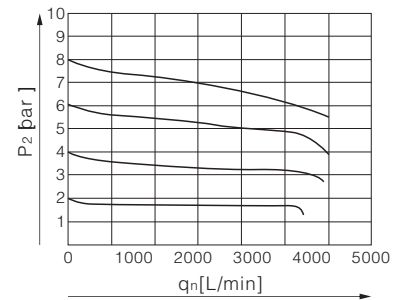
No.	Item	Material
1	Casing	Die-casting Zinc
2	Connecting Plate	Die-casting Aluminum
3	Adjustable knob	POM
4	Knurled Nut	Aluminum
5	Tigt Cover	Zinc Alloy
6	Seal	NBR

Standard Flow Rate qn as Function of The Outpt Pressure p2

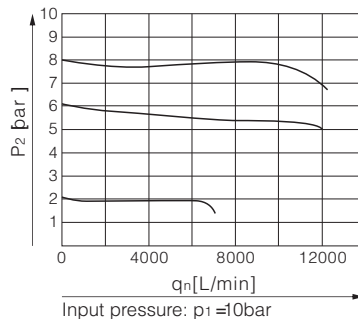
OR-1/4-MINI



OR-1/2-MIDI

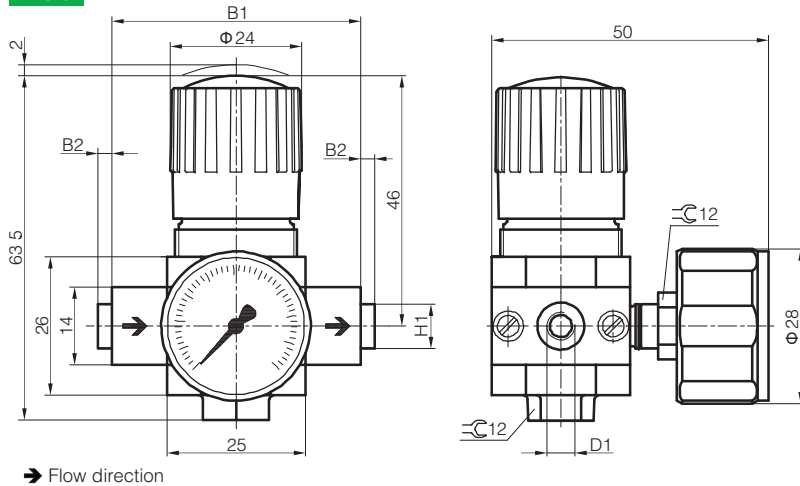


OR-1-MAXI



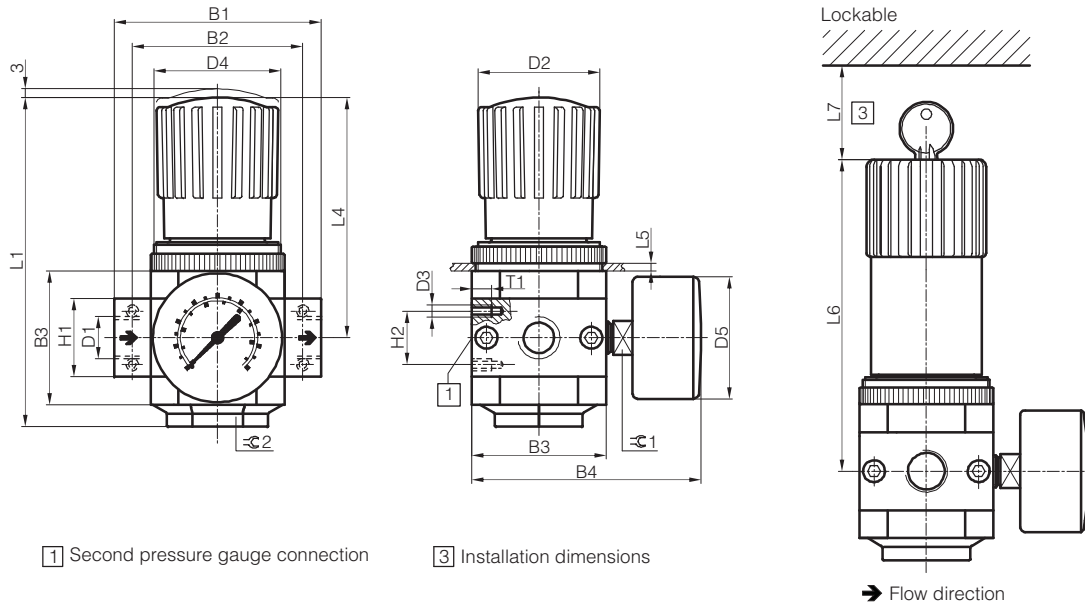
Dimensions

Micro



Model	B1	B2	D1	H1
OR-M5-D-7-MICRO	25	-	M5	-
OR-M7-D-7-MICRO(B)			M7	
OR-1/8-D-7-MICRO	45	~2.5	G1/8	~8
OR-QS4-D-7-MICRO			QS4	
OR-QS6-D-7-MICRO			QS6	

Mini/Midi/Maxi



1 Second pressure gauge connection

3 Installation dimensions

→ Flow direction

Model	B1	B2	B3	B4	D1	D2 Φ	D3	D4	D5 Φ	H1	H2	L1	L4	L5 max.	L6	L7	T1	≈1	≈2
Mini																			
OR-1/8-D(1)-MINI	64	52	40	76	G1/8	31	M4	M36×1.5	41	20	11	96	68	3	98	60	7	14	22
OR-1/4-D(1)-MINI					G1/4														
OR-3/8-D(1)-MINII	70				G3/8														
Midi																			
OR-1/4-D(1)-MIDI	85	70	55	95	G1/4	50	M5	M52×1.5	50	32	22	135	99	5	130	60	8	14	24
OR-3/8-D(1)-MIDI					G3/8														
OR-1/2-D(1)-MIDI					G1/2														
OR-3/4-D(1)-MIDI					G3/4														
Maxi																			
OR-1/2-D-MAXL	96	80	66	107	G1/2	31	M5	M36×1.5	50	32	22	125	82	4	111	60	8	14	24
OR-1/2-D-DI-MAXL					49	M52×1.5		148				105	135						
OR-3/4-D-MAXL					31	M36×1.5		125				82	111						
OR-3/4-D-DI-MAXL					49	M52×1.5		148				105	135						
OR-1-D-MAXL	116	91			G1	31		M36×1.5		40		125	82		111				
OR-1-D-DI-MAXL					49	M52×1.5		148				105	135						

Note: This product conforms with ISO 1179-1 standard and the ISO 228-1 standard.