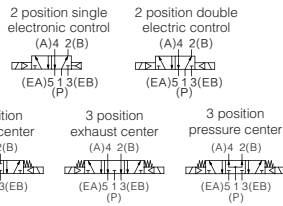
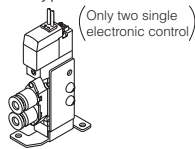


Symbol

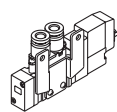


Series	Tripod type	Side bracket
SY3000	SX3000-16-2A	SX3000-16-1A
SY5000	SX5000-16-2A	SX5000-16-1A
SY7000	SX7000-16-2A	SX7000-16-1A

Foot seat type bracket



Side bracket



*SY9000 No bracket.

Specifications

Series	SY3000	SY5000	SY7000	SY9000
Fluid	Air			
Internal pilot	2 position single			
Operating pressure range (Mpa)	2 position double			
	3 position			
Ambient and fluid temperature (°C)	-10 to 50 (No freezing)			
Max. operating frequency (Hz)	2 position single, double		10Hz	5Hz
	3 position		3Hz	3Hz
Manual override (Manual operation)	Bolt driver pressure lock type			
Pilot exhaust method	Common exhaust type for main and pilot valve			
Lubrication	Not required			
Mounting orientation	Unrestricted			
Impact/Vibration resistance (m/s ²)	150/30			
Enclosure	Dust proof			

Solenoid Specifications

Electrical entry		Grommet (G)	L plug terminal (L)
Coil rated voltage (V)	DC	24, 12	
	AC50/60Hz	110, 220	
Allowable voltage fluctuation		±10%	
Power consumption (W)	DC	Standard	0.35 (With indicator light: 0.4 DIN terminal with indicator light: 0.45)
		With power saving circuit	0.1 (With indicator light)
Apparent power (VA)*	AC	110V [115V]	0.86 (With indicator light: 0.89) [0.94 (With indicator light: 0.97)]
		220V [230V]	1.30 (With indicator light: 1.34) [1.42 (With indicator light: 1.46)]
Surge voltage suppressor		Diode (Varistor is for DIN terminal and Non-polar type.)	
Indicator light		LED (AC of DIN connector is neon light.)	

* AC110V and 115V, AC220V and 230V Share.

Model ^{Note}	Specifications				
	Functional digit	Response time(ms)	Effective sectional area mm ² (Cv)	Pipe size Rc(PT)	Weight(g) Terminal
SY3120-□△D-◇	2 position single electronic control	12 or less	2.88(0.16)	* M5x0.8 C4 C6	51
SY3220-□△D-◇	2 position double electric control	10 or less	2.88(0.16)		68
SY3320-□△D-◇	3 position closed center	15 or less	2.34(0.13)		71
SY3420-□△D-◇	3 position exhaust center	15 or less	2.34(0.13)	C6	71
SY3520-□△D-◇	3 position pressure center	15 or less	2.7(0.15)		71
SY5120-□△D-◇	2 position single electronic control	19 or less	8.82(0.49)		* 1/8 C4 C6 C8
SY5220-□△D-◇	2 position double electric control	18 or less	8.82(0.49)	88	
SY5320-□△D-◇	3 position closed center	32 or less	8.1(0.45)	93	
SY5420-□△D-◇	3 position exhaust center	32 or less	7.38(0.41)	C8	93
SY5520-□△D-◇	3 position pressure center	32 or less	10.98(0.61)		93
SY7120-□△D-◇	2 position single electronic control	31 or less	16.74(0.93)		* 1/4 C8 C10
SY7220-□△D-◇	2 position double electric control	27 or less	16.74(0.93)	120	
SY7320-□△D-◇	3 position closed center	50 or less	12.6(0.7)	128	
SY7420-□△D-◇	3 position exhaust center	50 or less	11.7(0.65)	C10	128
SY7520-□△D-◇	3 position pressure center	50 or less	17.46(0.97)		128
SY9120-□△D-◇	2 position single electronic control	35 or less	34.2(1.9)		* 3/8 C8 C10 C12
SY9220-□△D-◇	2 position double electric control	35 or less	34.2(1.9)	255	
SY9320-□△D-◇	3 position closed center	62 or less	34.2(1.9)	279	
SY9420-□△D-◇	3 position exhaust center	62 or less	34.2(1.9)	C12	279
SY9520-□△D-◇	3 position pressure center	62 or less	39.6(2.2)		279

Note) □-Representative voltage
3=110VAC
4=220VAC
5=24VDC
6=12VDC

△-Representative wiring mode
G=Grommet(Line length 300mm)
L=terminal(Line length 300mm)
LZ=terminal(Line length 300mm, With indicator light and over voltage protection circuit)
D=Grommet

◇-Representative pipe size
M5=M5 × 0.8 Thread(SY3000 Use)
O1=Rc1/8 Thread(SY5000 Use)
O2=Rc1/4 Thread(SY7000 Use)
O3=Rc3/8 Thread(SY9000 Use)
C4=Φ4mm Quick change joint(SY3000-5000 Use)
C6=Φ6mm Quick change joint(SY3000-5000 Use)
C8=Φ8mm Quick change joint(SY5000-7000-9000 Use)
C10=Φ10mm Quick change joint(SY7000-9000 Use)
C12=Φ12mm Quick change joint(SY9000 Use)

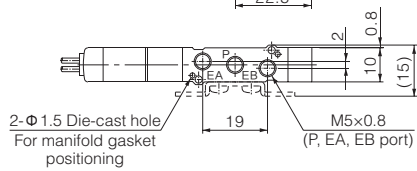
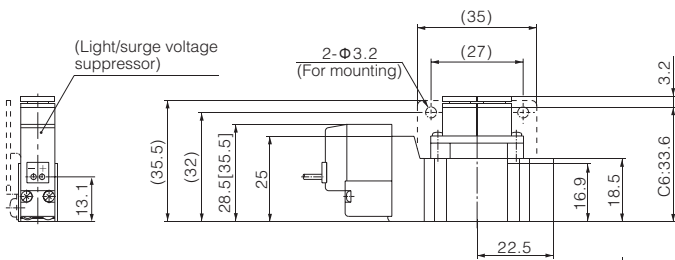
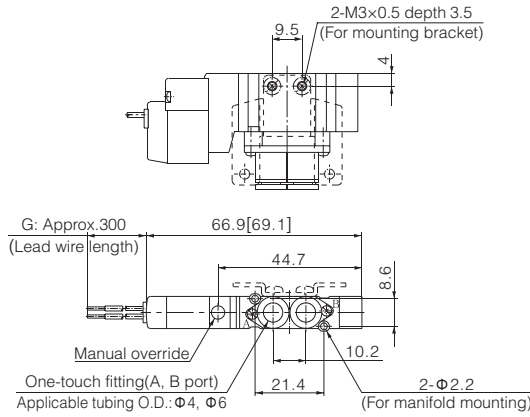
*Corresponding aperture CV value

Ordering example:
1)Ordering 5/2 way solenoid valve single electric control type, Voltage: 24VDC, Grommet, pipe size: M5, With tripod
Correct model: SY3120-5GD-M5 1pcs
SX3000-16-2A 1pcs
2)Ordering 5/3 way solenoid valve exhaust center type, Voltage: 220VAC, terminal, pipe size: Rc3/8, With indicator light and over voltage protection circuit
Correct model: SY9320-4LZD-03

Dimensions

2 position single electronic control

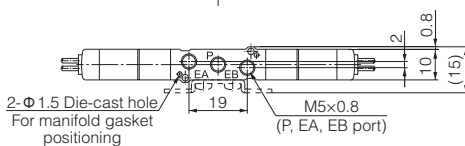
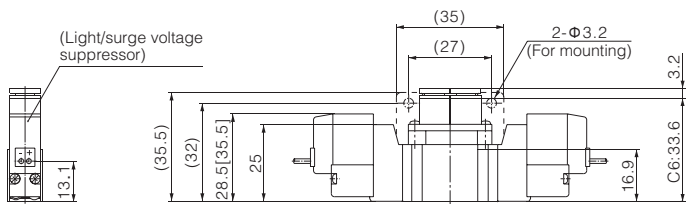
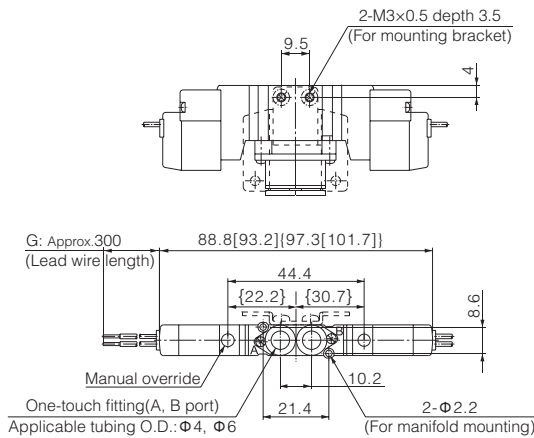
Direct Grommet(G)
SY3120-□G□□-C4
C6



[] AC occasion
() Foot bracket size

Double electric control

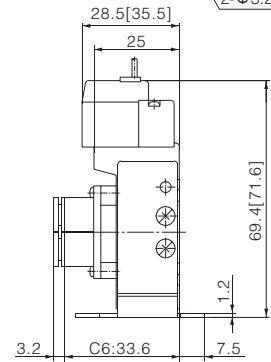
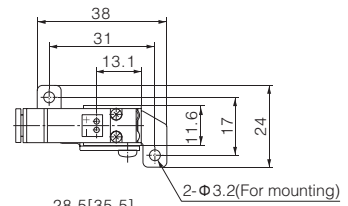
(SY3220.SY3320.SY3420.SY3520)
Direct Grommet(G)
SY3*20-□GD-C4/C6



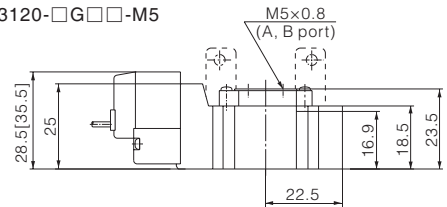
{ } 3 position valve occasion
[] AC occasion
() Foot bracket size

Foot bracket

SY3120-□G□□-C4
C6



SY3120-□G□□-M5

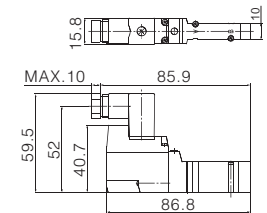
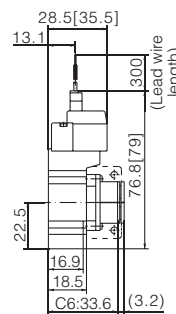


2 position single electronic control

L terminal
SY3120-□L□□-C4
C6

DIN terminal
SY3120-□D□□-C4
C6

DIN terminal SY3000 series not suitable containerized type



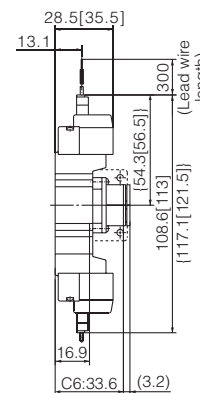
<DIN terminal Model>

No lights SY100-61-1

With light

Rated voltage	DIN Plug
24 VDC	SY100-61-3-05
12 VDC	SY100-61-3-06
110 VAC	SY100-61-2-03
220 VAC	SY100-61-2-04

L terminal
SY3²/₄20-□LD-C4/C6

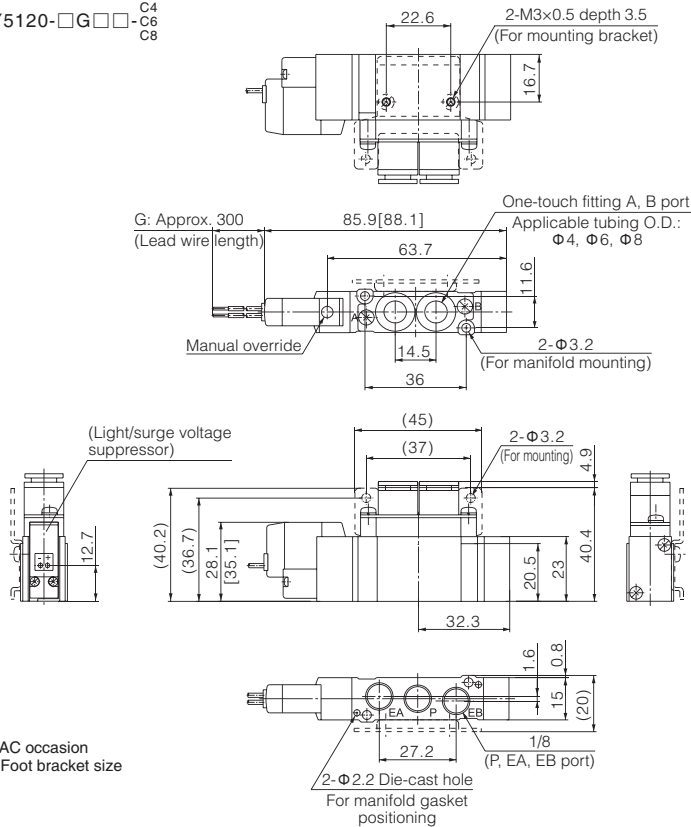


Dimensions

2 position single electronic control

Direct Grommet(G)

SY5120-□G□□-C4
C6
C8



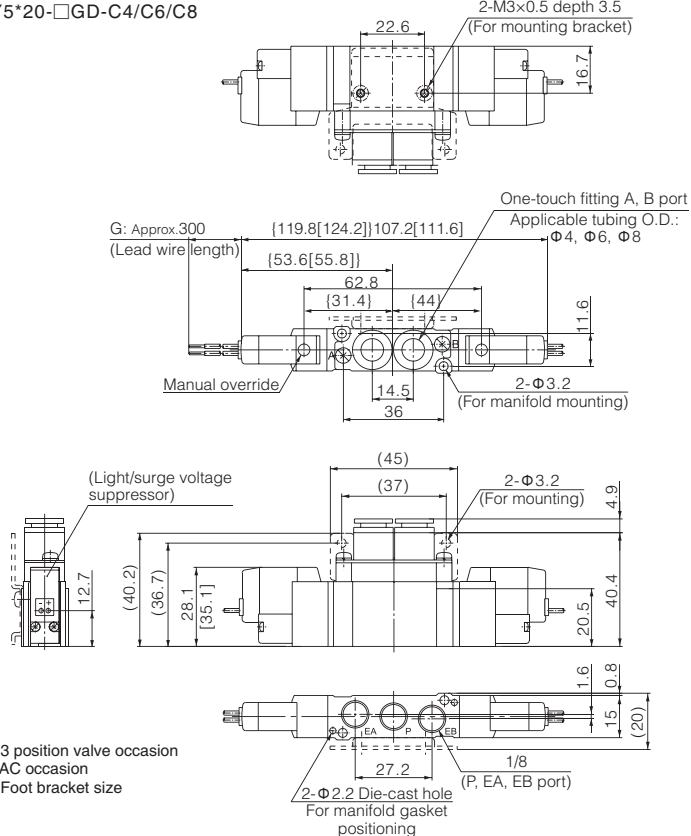
[] AC occasion
() Foot bracket size

Double electric control

(SY5220.SY5320.SY5420.SY5520)

Direct Grommet(G)

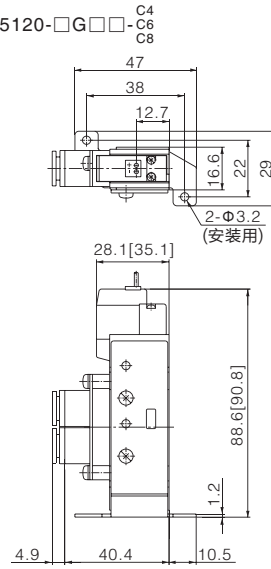
SY5*20-□GD-C4/C6/C8



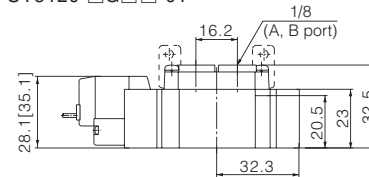
{ } 3 position valve occasion
[] AC occasion
() Foot bracket size

Foot bracket

SY5120-□G□□-C4
C6
C8



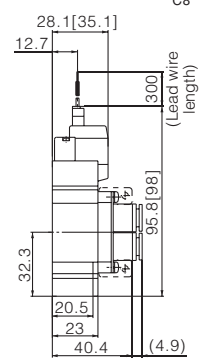
SY5120-□G□□-01



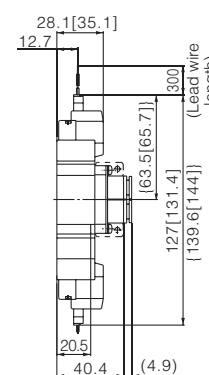
2 position single electronic control

L terminal

SY5120-□L□□-C4
C6
C8

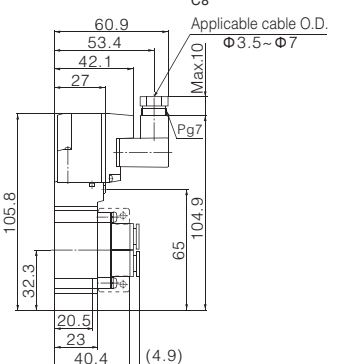


SY5₄²₅20-□L□□-C4
C6
C8

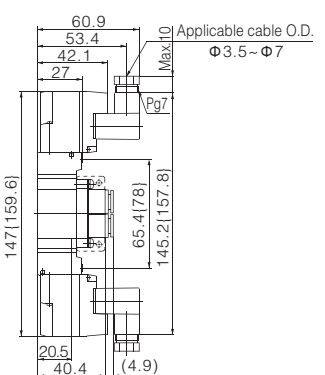


DIN terminal

SY5120-□D□□-C4
C6
C8



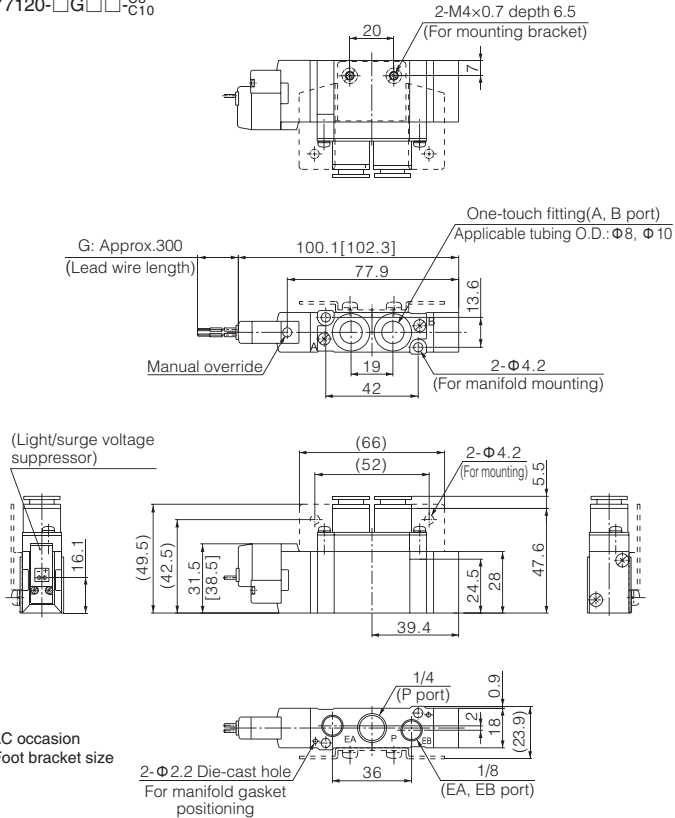
SY5₄²₅20-□D□□-C4
C6
C8



Dimensions

2 position single electronic control

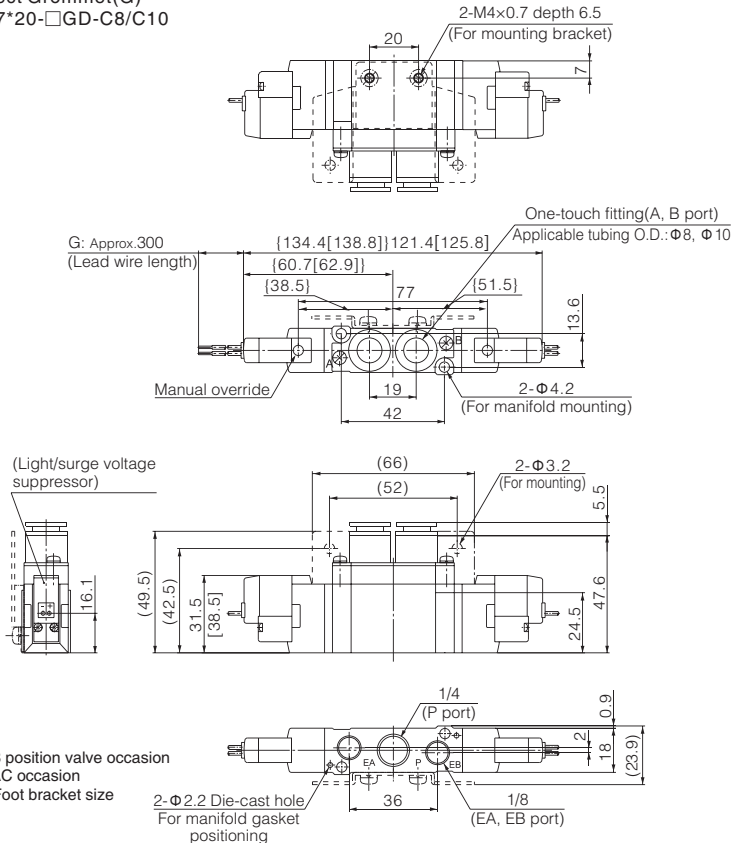
Direct Grommet(G)
SY7120-□G□□-C⁸_{C10}



[] AC occasion
() Foot bracket size

Double electric control

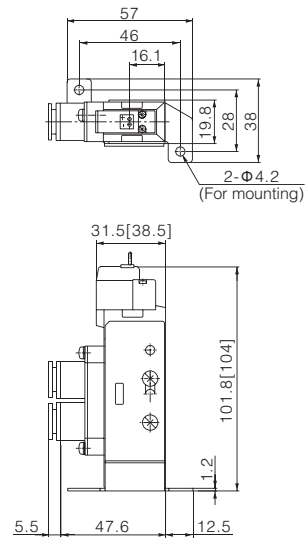
(SY7220.SY7320.SY7420.SY7520)
Direct Grommet(G)
SY7*20-□GD-C⁸/C10



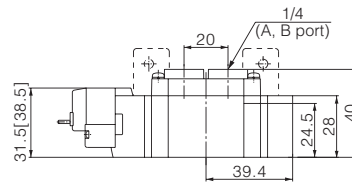
[] 3 position valve occasion
() AC occasion
() Foot bracket size

Foot bracket

SY7120-□G□□-C⁸_{C10}



SY7120-□G□□-02



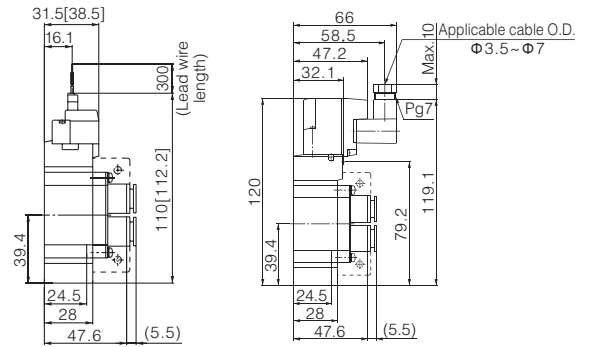
2 position single electronic control

L terminal

SY7120-□L□□-C⁸_{C10}

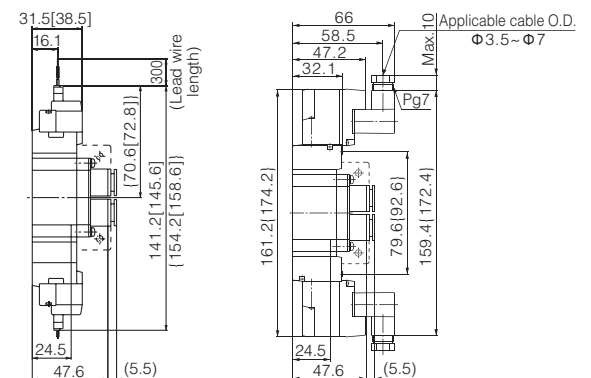
DIN terminal

SY7120-□D□□-C⁸_{C10}



SY7²/₄20-□L□□-C⁸_{C10}

SY7²/₄20-□D□□-C⁸_{C10}



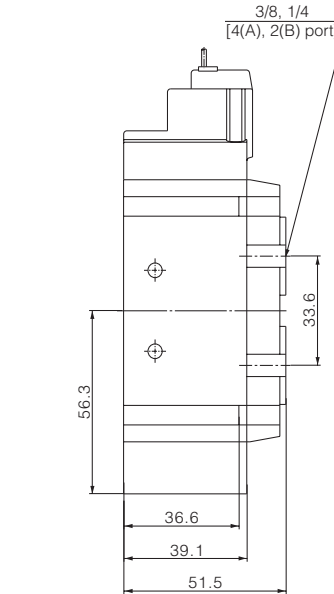
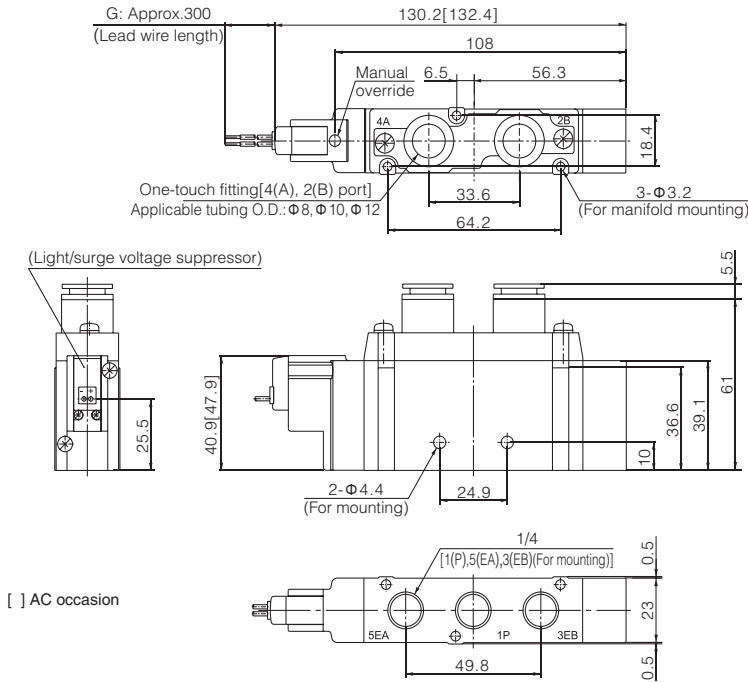
Dimensions

2 position single electronic control

Direct Grommet(G)

SY9120-□G□□□-^{C8}_{C10}
C12

SY9120-□G□□□-⁰²₀₃



[] AC occasion

Double electric control

(SY9220.SY9320.SY9420.SY9520)

Direct Grommet(G)

SY9*20-□GD-C8/C10

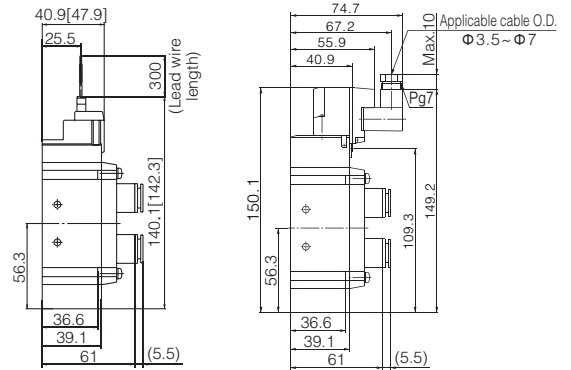
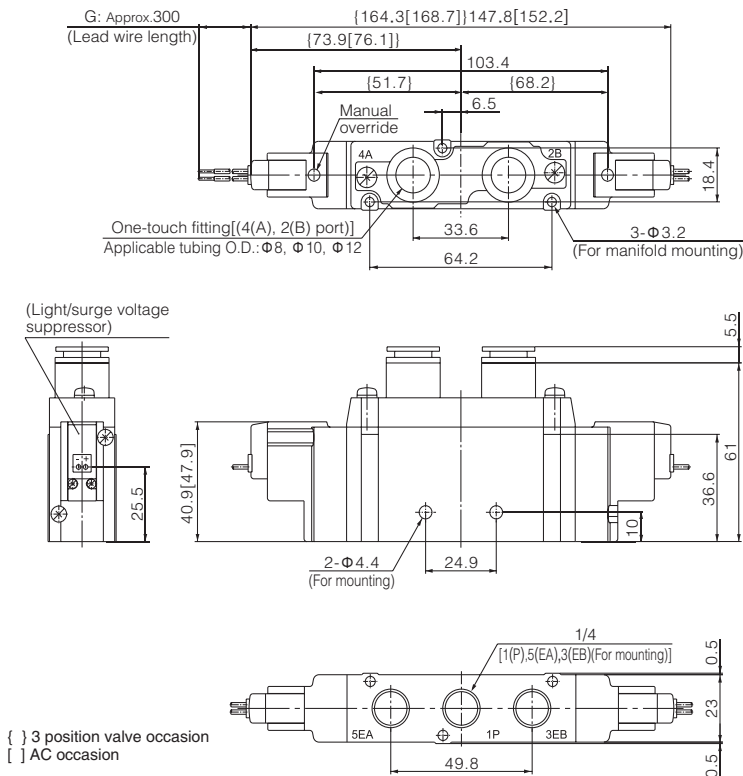
2 position single electronic control

L terminal

SY9120-□L□□□-^{C8}_{C10}
C12

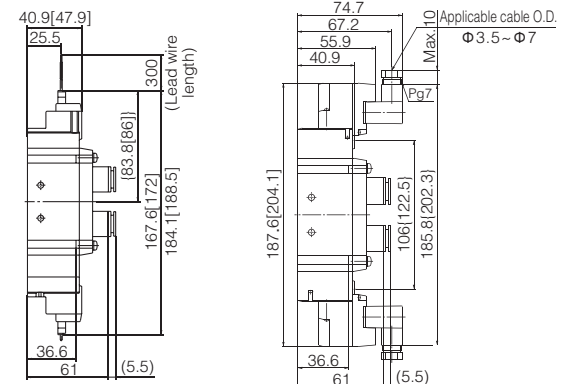
DIN terminal

SY9120-□D□□□-^{C8}_{C10}
C12



SY9²₄20-□L□□□-^{C8}_{C10}
C12

SY9²₄20-□D□□□-^{C8}_{C10}
C12



[] 3 position valve occasion
[] AC occasion