



### Specification

Model	3H210-06	3H210-08	3H310-08	3H310-10	3H410-15
Fluid	Air(to be filtered by 40 μm filter element)				
Operating	Manual control direct acting tupe				
Port size ①	G1/8	G1/4		G3/8	G1/2
Orifice size	14.0mm <sup>2</sup> (Cv=0.78)	16.0mm <sup>2</sup> (Cv=0.89)	25.0mm <sup>2</sup> (Cv=1.39)	30.0mm <sup>2</sup> (Cv=1.67)	50.0mm <sup>2</sup> (Cv=2.79)
Valve type	3/2 Way				
Lubrication ②	Not required				
Pressure range	0~1.0MPa(0~145psi)				
Proof pressure	1.2MPa(170psi)				
Temperature	-20~70°C				
Material body	Aluminum alloy				

① PT thread, G thread and NPT thread are available.

② Once lubricated air is used, continue with same medium to optimise valve life span. It is suggested to use ISO VG32 or the oil with the same grade.

### Symbol



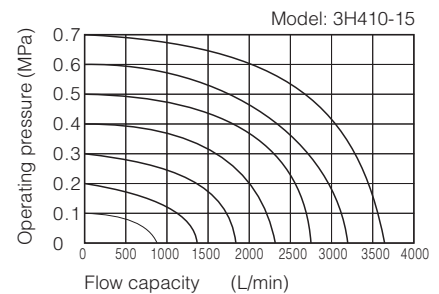
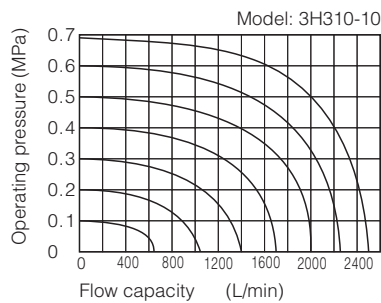
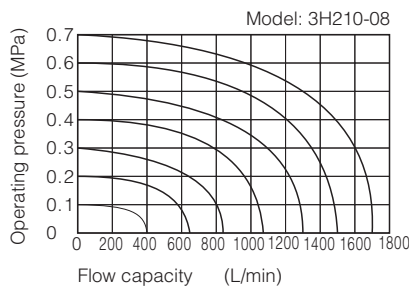
### Product feature

1. Manual operation, smooth actuation, and exact and reliable orientation.
2. Sliding column structure has good tightness and light weight and is easy to install and dismount.
3. Internal hole adopts special processing technology which has little attrition friction, long service life.
4. No need to add oil for lubrication.
5. Panel-mounting makes it convenient to install and apply.

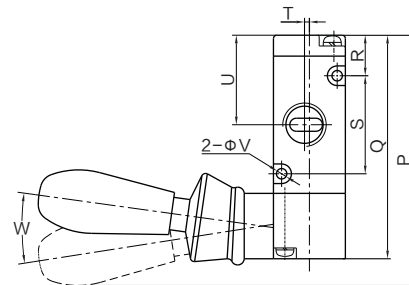
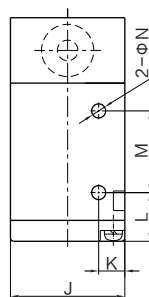
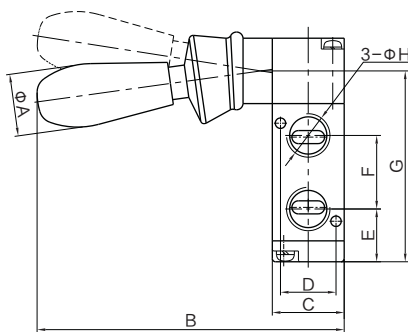
### Ordering code

3H		2		10		08	
Model		Code		Valve type		Port size	
3H	Hand lever valve (3/2 way)	2	200 Series	10	3/2 Way	06	1/8"
		3	300 Series			08	1/4"
		4	400 Series			10	3/8"
						15	1/2"

### Flow chart



### Dimensions



Model/Item	A	B	C	D	E	F	G	H	J	K	L	M	N	P	Q	R	S	T	U	V	W
3H210-06	19	94	22	17	16.2	22.5	58.4	PT1/8	35	8	14.9	25	4.3	76.5	68.4	12.4	30	0	27.4	3.2	16.8
3H210-08	19	94	22	17	16.2	22.5	58.4	PT1/4	35	8	14.9	25	4.3	76.5	68.4	12.4	30	15	27.4	3.2	16.8
3H310-08	19	98.4	27	20	20.3	24	67.3	PT1/4	40	10	14.8	30	4.3	85.2	77.3	14.8	35	0	32.3	4.3	16.5
3H310-10	19	98.4	27	20	20.3	24	67.3	PT3/8	40	10	14.8	30	4.3	85.2	77.3	14.8	35	2	32.3	4.3	16.5
3H410-15	19	105	34	27	23	36	84.5	PT1/2	50	13.5	16	50	5.2	105	95.5	19.5	43	3	41	4.3	22.3