

QFLH Series

Preparation unit—High Pressure Filter

Ordering code

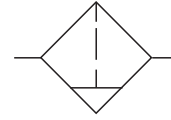
QFLH		15	
Model		Port size	
QFLH	High pressure filter	08	G1/4"
		25	G1"
		10	G3/8"
		32	G1 1/4"
		15	G1/2"
		40	G1 1/2"
		20	G3/4"
		50	G2"

Specification

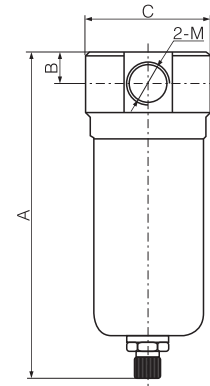
Model	QFLH-08	QFLH-10	QFLH-15	QFLH-20	QFLH-25	QFLH-32	QFLH-40	QFLH-50
Operating fluid	Air							
Joint pipe bore	G1/4	G3/8	G1/2	G3/4	G1	G1 1/4	G1 1/2	G2
Filter precision	20μm or 40μm							
Range of adjustable pressure	0.15~4.0MPa							
Max. input pressure	4MPa							
Operating temperature range	5~80°C							

High Pressure Filter

Symbol



Dimensions



Bore	A	B	C	M
10	160	15	60	G3/8
15	160	15	60	G1/2
20	215	75	90	G3/4
25	215	75	90	G1

QFRH Series

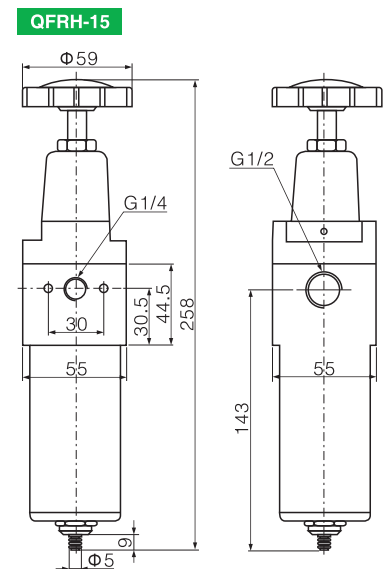
Preparation Unit--High Pressure Filter.Regulator

Ordering code

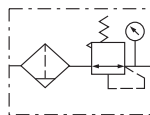
QFRH		15	
Model		Port size	
QFRH	High pressure filter & regulator	08	G1/4"
		25	G1"
		10	G3/8"
		32	G1 1/4"
		15	G1/2"
		40	G1 1/2"
		20	G3/4"
		50	G2"

Filter.Regulator

Dimensions



Symbol



Specification

Model	QFRH-08	QFRH-10	QFRH-15	QFRH-20	QFRH-25	QFRH-32	QFRH-40	QFRH-50
Operating fluid	Air							
Joint pipe bore	G1/4	G3/8	G1/2	G3/4	G1	G1 1/4	G1 1/2	G2
Filter precision	20μm or 40μm							
Range of adjustable pressure	0.05~3.5MPa							
Max. input pressure	4MPa							
Operating temperature range	-25~+80°C							