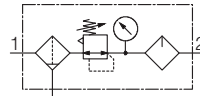
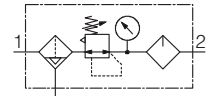


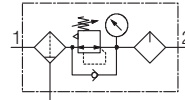
Symbol



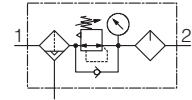
F3-...-MICRO/MINI/MIDI
Manual rotary condensate drain,
with pressure gauge



Semi or fully automatic condensate drain,
with pressure gauge



F3-...-MAXI
Manual rotary condensate drain,
with pressure gauge



Fully automatic condensate drain,
with pressure gauge

Ordering code

O	UC	□	5M	7	MINI	H	E			
Series	Function Code	Port size	Grade of Filtration		Working Pressure		Condensate drain		Shell material	
O O Series	F.R.L. combination	G1/8" G1/4" G3/8" G1/2" G3/4" G1"	Blank 40µm 5M 5µm	Blank 12bar 7 7bar	MINI MIDI MAXI	Blank Turned manually H Semi-automatic A Fully automatic	Blank Zinc E Alu.			

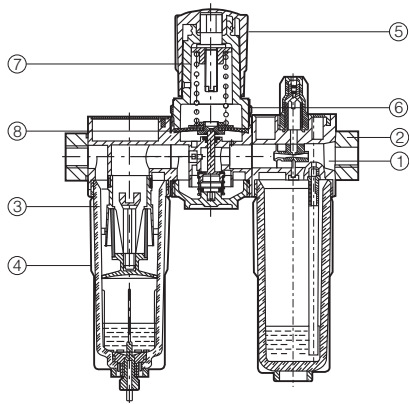
Installation and use

The OUC consisted of F+R+L, each unit can be ordered separately. The F with water separator cleans the compressed air of fluid oil, condensation and dirt particles. For special application, the standard 40µm filter element may easily be replaced by a 5µm filter element. The R maintain inputting constant operating pressure despite fluctuation in line pressure and the amount of air consumed. The proportional lubricator adds a regulated quantity of oil to the filtered air. The oil-mist content proportional to the flow and oil can be added during operation. The oil drip rate is controlled by the adjustable knob. Normally, 1 to 12 drops/1000L of the air is sufficient.

Specification

Size	Micro					Mini			Midi				Maxi			
Pneumatic connection	M5	M7	G1/8	QS4	QS6	G1/8	G1/4	G3/8	G1/4	G3/8	G1/2	G3/4	G1/2	G3/4	G1	
Operating medium	Compressed air															
Design	Filter regulator, with/without pressure gauge Proportional standard mist lubricator															
Type of mounting	Via accessories In-line installation															
Assembly position	Vertical ±5°															
Regulator lock	Rotary knob with lock															
Grade of filtration (µm)	5					5(or)40			0.2				0.4			
Max. hysteresis (bar)	0.3					0.5...7			0.5...12							
Pressure regulation range (bar)	0.5...7															
Pressure indication	Via pressure gauge															
	M5 Prepared					G1/8 Prepared			G1 4 Prepared				G1 4 Prepared			
Max. condensate volume (cm³)	3					22			43				80			
Input pressure (bar)																
Condensate drain	Turned manually	1...10								2...16						
	Semi-automatic	1...10								-						
	Fully automatic	-								2...12						

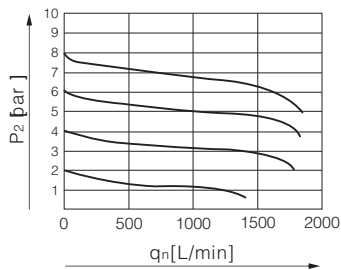
Inner structure



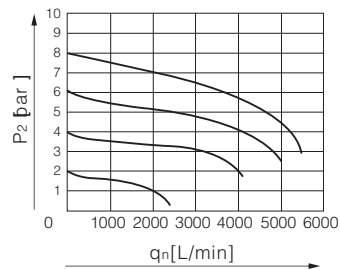
No.	Item	Material
1	Casing	Die-casting Zinc Alloy
2	Connecting Plate	Die-casting Aluminum Alloy
3	Filter Bowl	Polycarbonate
4	Protecting Cover	Aluminum
5	Adjustable knob	POM
6	Knurled Nut	Aluminum
7	Valve Cover	POM
8	Diaphragm	NBR
	Seal	NBR

Standard Flow Rate q_n as Function of The Output Pressure p_2

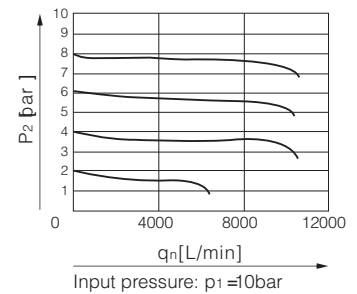
OUC -1/4-MINI



OUC-1/2-MIDI

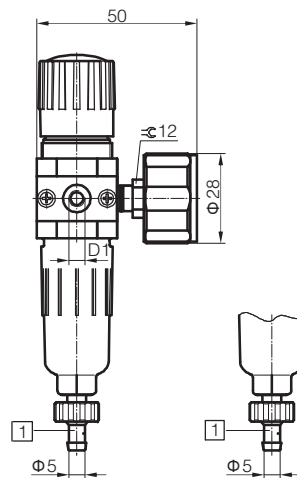
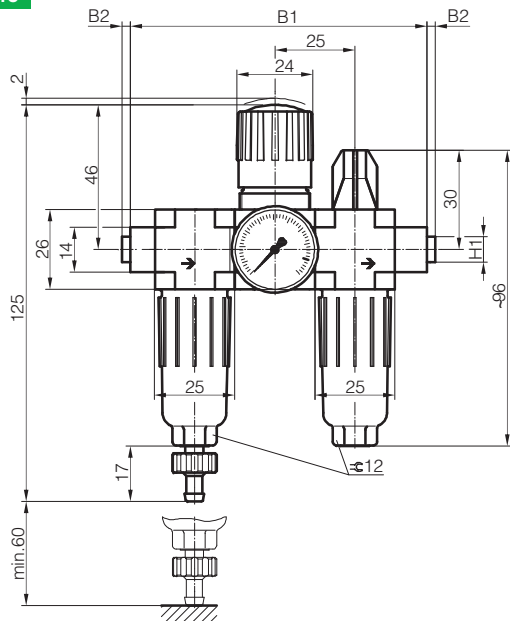


OUC-1-MAXI



Dimensions

Micro



Turned manually condensate drain

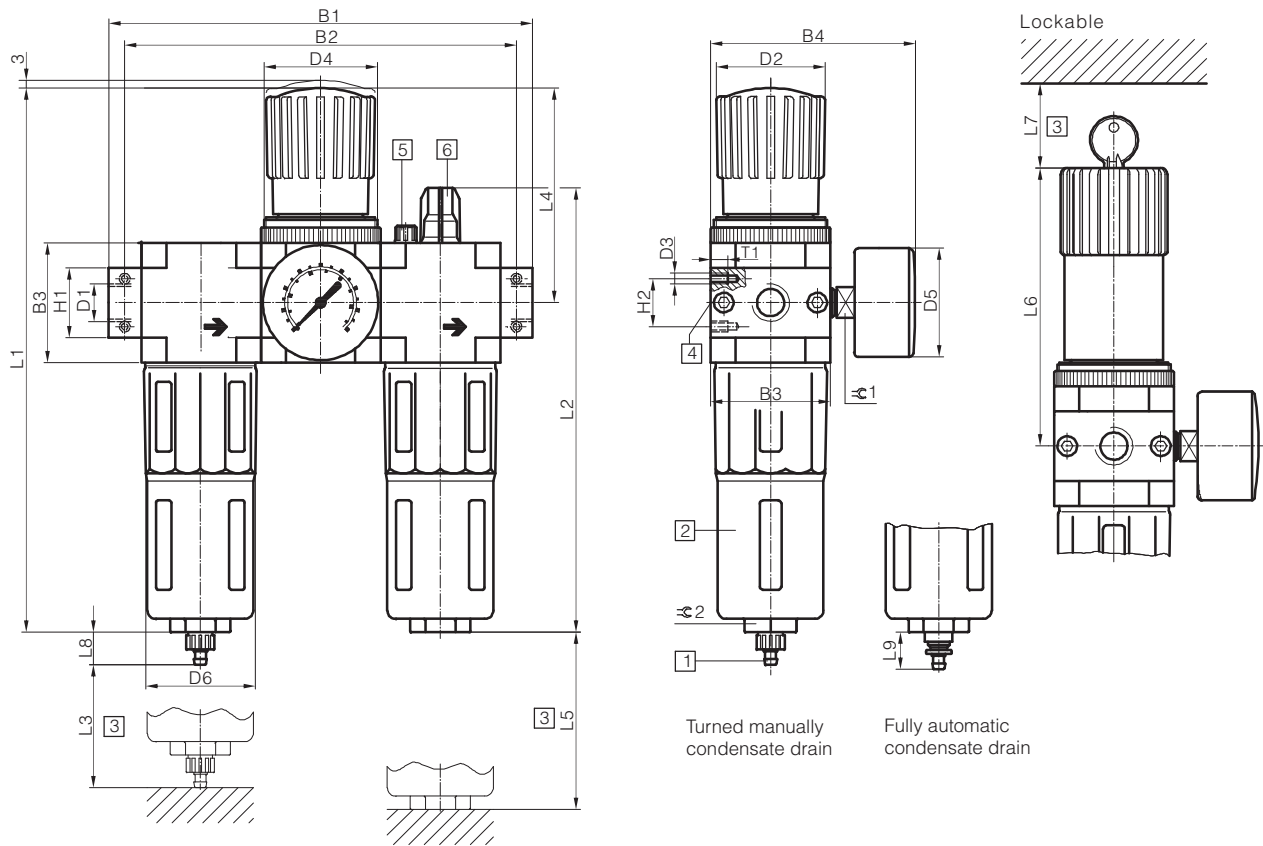
Semi-automatic condensate drain

1 Barbed fitting for plastic tubing type PCN-4

➔ Flow direction

Model	B1	B2	D1	H1
OUC -M5-D-7-5M-MICRO(H)	75	-	M5	-
OUC -M7-D-7-5M-MICRO(H)B			M7	
OUC -1/8-D-7-5M-MICRO(H)			G1/8	
OUC -QS4-D-7-5M-MICRO(H)	95	~2.5	QS4	~8
OUC -QS6-D-7-5M-MICRO(H)			QS6	~10

Mini/Midi/Maxi



- 1 Barbde fitting for plastic tubing type PCN-4
 - 2 Metal bowl guard
 - 3 Installation dimensions
 - 4 Second pressure gauge connection
 - 5 Bleed screw for oil reservoir
 - 6 Oil adjusting screw
- ➔ Flow direction

Model	B1	B2	B3	B4	D1	D2Φ	D3	D4	D5Φ	D6Φ	H1	H2	L1	L2	L3	L4	L5	L6	L7	L8	L9	T1	≈C1	≈C2	
Mini																									
OUC-1/8-D-MINI	144	120	40	76	G1/8	31	M4	M36×1.5	41	38	20	11	193	169	60	69	100	98	60	15	19	7	14	22	
OUC-1/4-D-MINI					G1/4																				
OUC-3/8-D-MINI					G3/8																				
Midi																									
OUC-1/4-D-MIDI	195	165	55	95	G1/4	50	M5	M52×1.5	50	52	32	22	250	204	80	99	120	130	60	15	19	8	14	24	
OUC-3/8-D-MIDI					G3/8																				
OUC-1/2-D-MIDI					G1/2																				
OUC-3/4-D-MIDI					G3/4																				
Maxi																									
OUC-1/2-D-MAXL	228	198	66	107	G1/2	31	M5	M36×1.5	50	65	32	22	252	228	90	82	150	111	60	15	19	8	14	24	
OUC-1/2-D-DI-MAXL					49	M52×1.5		105																	135
OUC-3/4-D-MAXL					31	M36×1.5		82																	111
OUC-3/4-D-DI-MAXL					49	M52×1.5		105																	135
OUC-1-D-MAXL					31	M36×1.5		82																	111
OUC-1-D-DI-MAXL	248	G1	49	M52×1.5	105	135																			

Note: This product conforms with ISO 1179-1 standard and the ISO 228-1 standard.