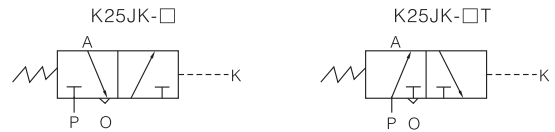




### Symbol



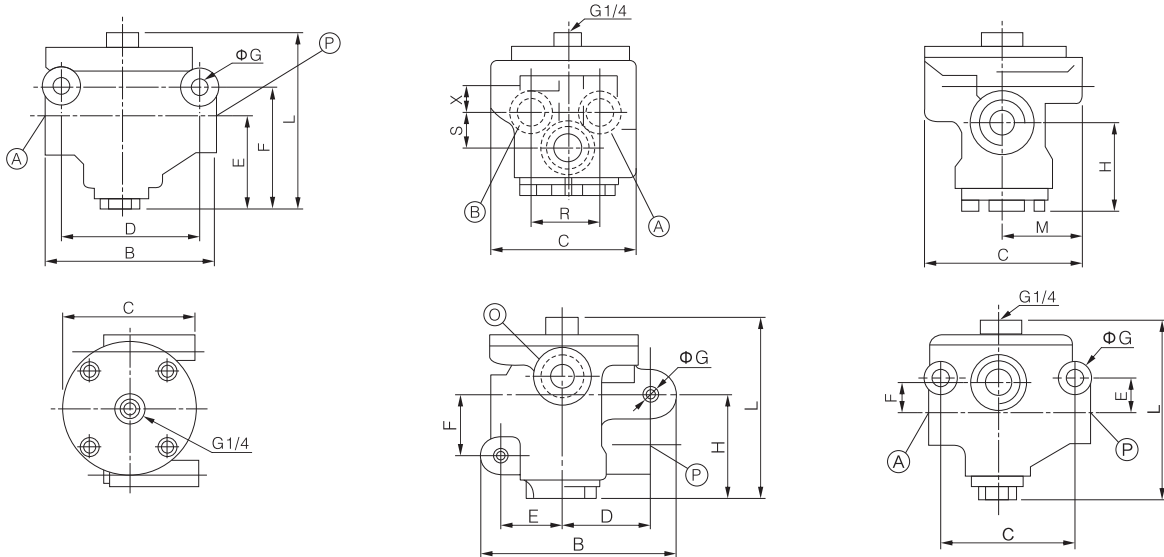
### Ordering code

<b>K25J</b>		<b>K</b>	<b>F</b>	<b>8</b>	<b>T</b>	<b>W</b>
<b>Model</b>		<b>Control mode</b>		<b>Port size</b>	<b>Initial state</b>	
K25J Two position five way cut-off type reversing valve		K Single air control		6 G1/8"	Blank	Normal close
				8 G1/4"	T	Normal open
				10 G3/8"	<b>Wuxi type</b>	
				15 G1/2"		
				20 G3/4"		
				25 G1"		
				32 G1 1/4"		
				40 G1 1/2"		
<b>Connection form</b>						
Blank Flange type						
F Plate connection type						

### Specifications

Model	K25JK-6W	K25JK-8W	K25JK-10W	K25JK-15W	K25JK-20W	K25JK-25W	K25JK-32W	K25JK-40W
Nominal diameter (mm)	6	8	10	15	20	25	32	40
Effective section area(mm <sup>2</sup> )	10	20	40	60	110	190	300	400
Working pressure range	0.2~0.8MPa							
Minimum control pressure	0.3MPa							
Commutation time (s)	0.04		0.06		0.1		0.15	
Minimum working frequency (Hz)	1/30							
Life (1000 times)	≥1500							

### Dimensions



Model	L	L1	L2	B	H	H1	H2	d	d1	d2
K25JK-6W	60	50	33	55	75	58	18	G1/8"	5.5	G1/8"
K25JK-8W								G1/4"		
K25JK-10W	92	72	51	77	104	70	17	G3/8"		
K25JK-15W								G1/2"		
K25JK-20W								G3/4"		
K25JK-25W	117	82	57	94	97	66	23	G1"		
K25JK-32W								G1 1/4"		
K25JK-40W	170	117	72	130	176.2	116.7	38	G1 1/2"	13	