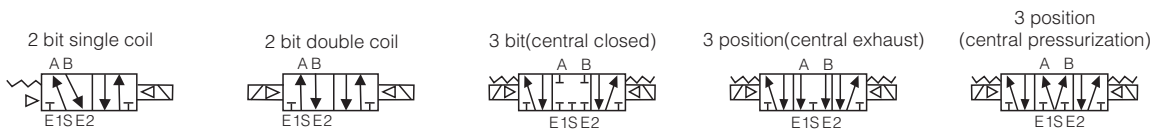


Symbol



Ordering code

	VF3	DS3	130	4	G	B	02
	Model		Valve type	Voltage	Conductor form	Manual operation	Port size
VF3	5/2, 5/3 way Solenoid valve		130 Single air control 5/2 way 230 Double air control 5/2 way 330 Double air control 5/3 way closed center 430 Double air control 5/3 way exhaust center 530 Double air control 5/3 way pressure center	3 110VAC 4 220VAC 5 24VDC 6 12VDC	G Direct grommet D Terminal DZ Terminal with lamp		02 1/4"

Common specifications

Fluid	Air
Environment and fluid temperature	high 50°C
lubrication	Not required
Manual operation	Screwdriver lock type
Shock / vibration resistance	30G/5G(8.3~2000Hz)
Seal up	Dust prevention

Electromagnetic coil specifications

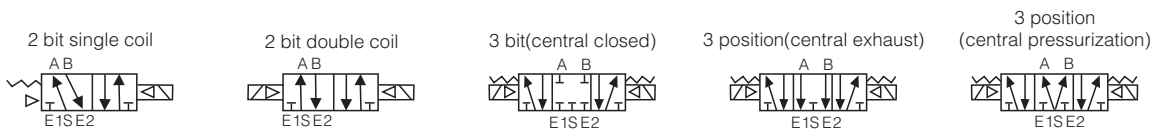
Connection mode	Direct grommet(G), Terminal(D)	
Standard voltage	AC: 110V, 220V(50Hz) DC: 12V, 24V	
Allowable voltage variation range	Rated voltage: -15%~+10%	
Insulation overvoltage	B class or same class	
Power consumption	AC	start-up: 5.6VA, Continued 3.4VA
	DC	1.8W/2W(With indicator light)
Surge suppressor	AC: Varistor, DC: Diode	
Indicator light	AC: Neon lamp, DC: light-emitting diode	

Model explain

Model	Specifications							
	Location number	Electromagnetic coil	Operating pressure range kgf/cm ² (Mpa)	Response time (milliseconds)	Maximum operating frequency (Times per second)	Port size	Orifice size mm ² (CV Value)	Weight (Kg)
VF3130-□△B-02	2	Single coil	1.5~9(0.15~0.9)	30 or below	5	1/4	17.1(0.95)	0.21
VF3230-□△B-02	2	Double coil	1~9(0.1~0.9)	30 or below	5	1/4	17.1(0.95)	0.29
VF3330-□△B-02	3	Double(closed center)	1~9(0.1~0.9)	50 or below	3	1/4	13.5(0.75)	0.42
VF3430-□△B-02	3	Double(exhaust center)	1~9(0.1~0.9)	50 or below	3	1/4	17.1(0.95)	0.42
VF3530-□△B-02	3	Double(pressure center)	1~9(0.1~0.9)	50 or below	3	1/4	16.2(0.9)	0.42



Symbol



Ordering code

	VF5	DS5	120	4	G	B	03
	Model		Valve type	Voltage	Conductor form	Manual operation	Port size
VF5	5/2, 5/3 way Solenoid valve		120 Single air control 5/2 way 220 Double air control 5/2 way 320 Double air control 5/3 way closed center 420 Double air control 5/3 way exhaust center 520 Double air control 5/3 way pressure center	3 110VAC 4 220VAC 5 24VDC 6 12VDC	G Direct grommet D Terminal DZ Terminal with lamp		03 3/8"

Common specifications

Fluid	Air
Environment and fluid temperature	high 50°C
lubrication	Not required
Manual operation	Screwdriver lock type
Shock / vibration resistance	30G/5G(8.3~2000Hz)
Seal up	Dust prevention

Electromagnetic coil specifications

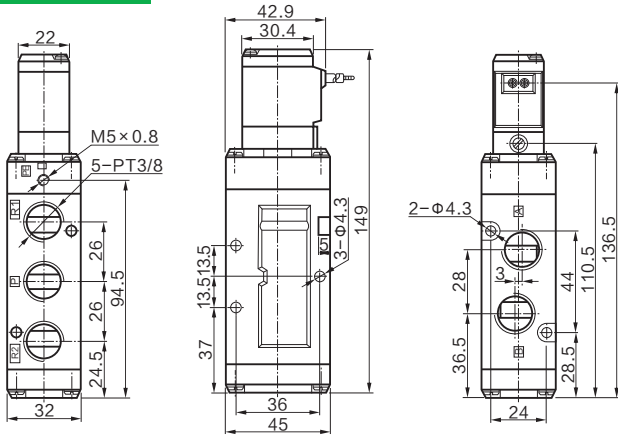
Connection mode	Direct grommet(G), Terminal(D)	
Standard voltage	AC: 110V, 220V(50Hz) DC: 12V, 24V	
Allowable voltage variation range	Rated voltage: -15%~+10%	
Insulation overvoltage	B class or same class	
Power consumption	AC	start-up: 5.6VA, Continued 3.4VA
	DC	1.8W/2W(With indicator light)
Surge suppressor	AC: Varistor, DC: Diode	
Indicator light	AC: Neon lamp, DC: light-emitting diode	

Model explain

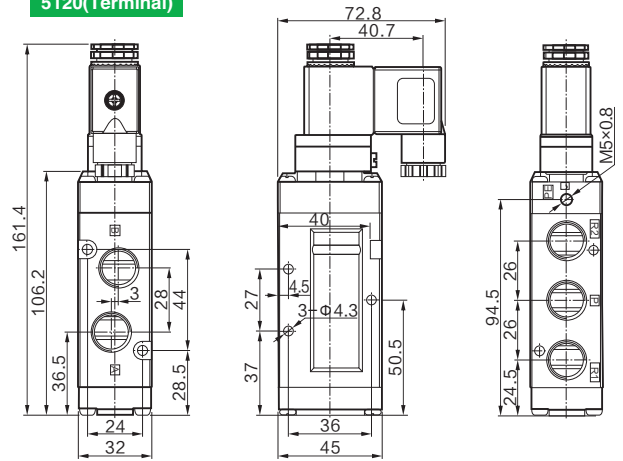
Model	Specifications							
	Location number	Electromagnetic coil	Operating pressure range kgf/cm ² (Mpa)	Response time (milliseconds)	Maximum operating frequency (Times per second)	Port size	Orifice size mm ² (CV Value)	Weight (Kgf)
VF5120-□△B-02	2	Single coil	1.5~9(0.15~0.8)	30 or below	5	3/8	45(2.5)	0.38
VF5220-□△B-02	2	Double coil	1~9(0.1~0.9)	30 or below	5	3/8	45(2.5)	0.45
VF5320-□△B-02	3	Double(closed center)	1~9(0.1~0.9)	50 or below	3	3/8	36(2)	0.53
VF5420-□△B-02	3	Double(exhaust center)	1~9(0.1~0.9)	50 or below	3	3/8	41.4(2.3)	0.53
VF5520-□△B-02	3	Double(pressure center)	1~9(0.1~0.9)	50 or below	3	3/8	36(2)	0.53

Dimensions

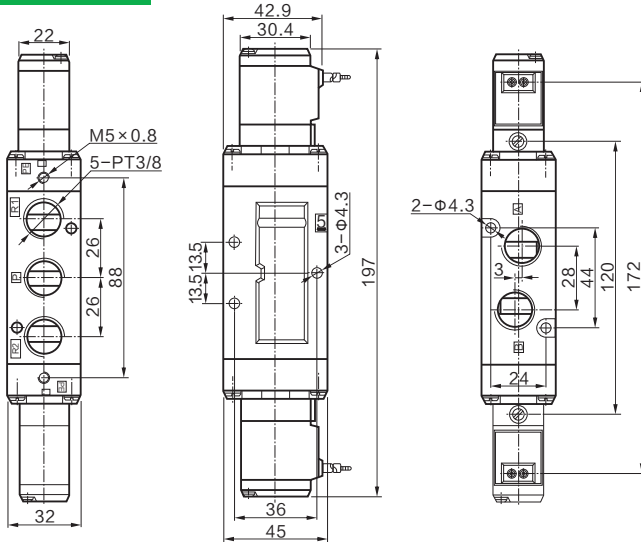
5120(Grommet)



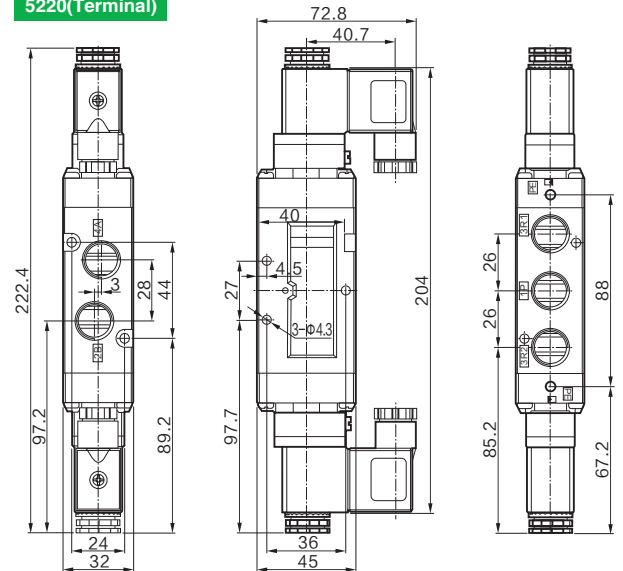
5120(Terminal)



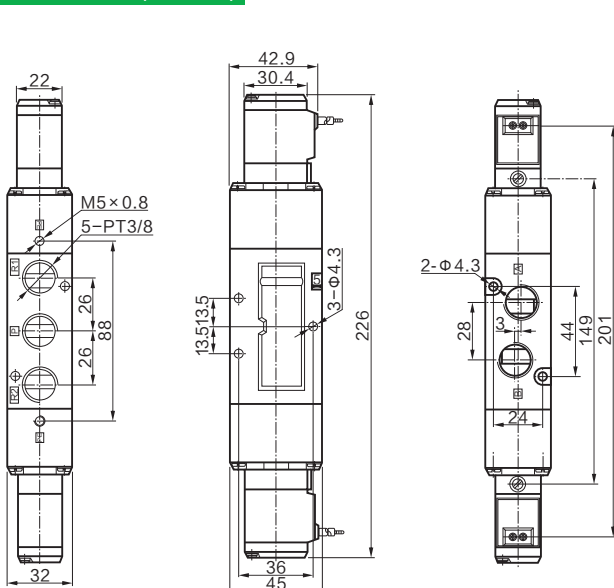
5220(Grommet)



5220(Terminal)



5320\5420\5520(Grommet)



5320\5420\5520(Terminal)

