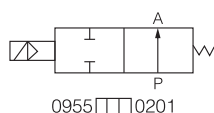
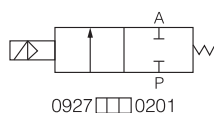




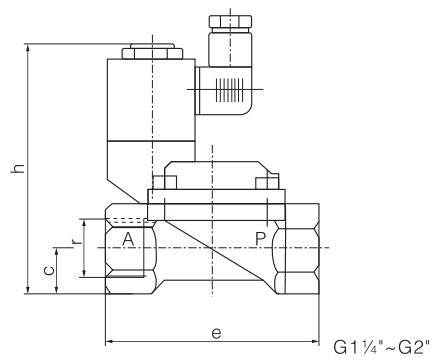
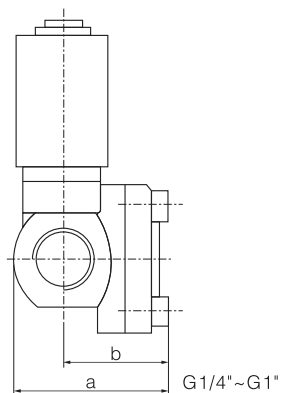
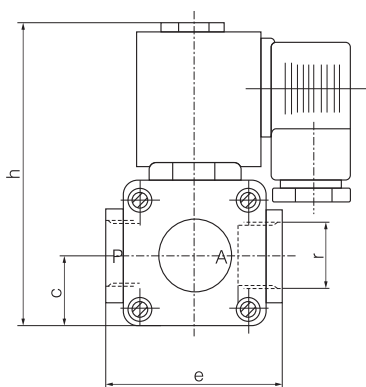
Symbol



Product introduction

- 0927 series solenoid valves are normally closed.
- 0955 series solenoid valves are normally open.
- Replace the solenoid can make the valves explosion-proof.

Dimensions



Specifications

Model	Orifice size (mm)	Operating pressure	Operating temperature	Effective Section(mm ²)	Oltage (V)	a	b	c	e	h	r
0927000	8	0.07~1.6MPa	-5~80°C for NBR, -5~150°C for VITON, EPDM	20	AC: 220, 110 DC: 24	45	31.5	22	53	97	G1 1/4"
0955105										114	
0927100	10			97						G3/8"	
0955205											114
0927200	12			97						G1 1/2"	
0955305											114
0927300	20			113						G3/4"	
0955405											130
0927400	25			113						G1"	
0955505											130
0927500	32	136	G1 1/4"								
0955605				153							
0927600	40	136	G1 1/2"								
0955705				153							
0927700	50	155	G2"								
0955805				172							