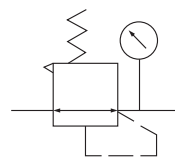


### Symbol



### Ordering code

<b>QTYH</b>	
<b>Model</b>	
QTYH	High pressure regulator

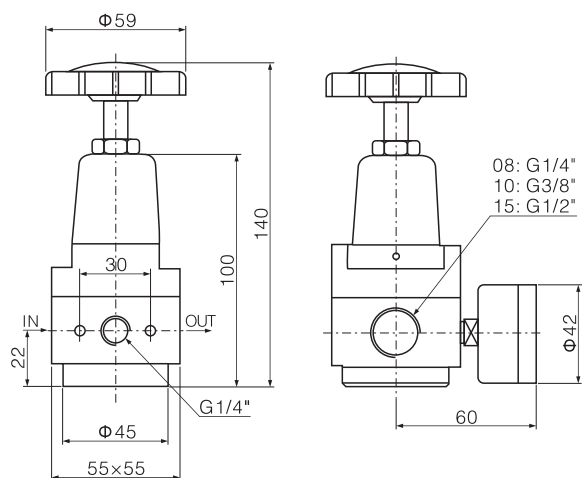
<b>15</b>	
<b>Port size</b>	
08	G1/4"
10	G3/8"
15	G1/2"
20	G3/4"
25	G1"
32	G1 1/4"
40	G1 1/2"
50	G2"

### Specification

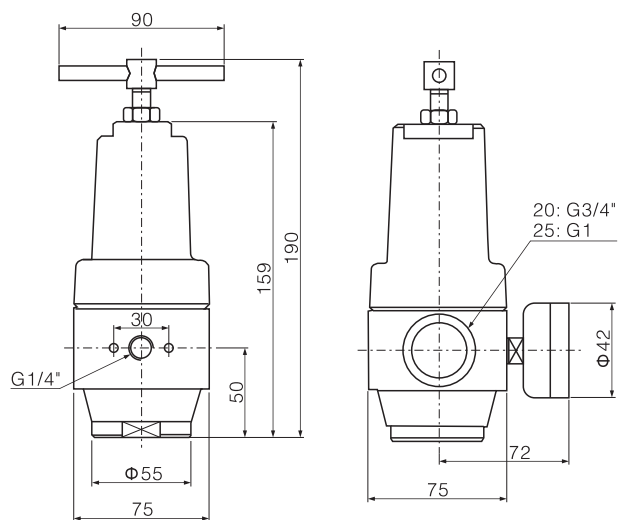
Model	QTYH-08	QTYH-10	QTYH-15	QTYH-20	QTYH-25	QTYH-32	QTYH-40	QTYH-50
Operating fluid	Air							
Joint pipe bore	G1/4	G3/8	G1/2	G3/4	G1	G1 1/4	G1 1/2	G2
Range of adjustable pressure	0.05MPa~3.5MPa							
Max. input pressure	4MPa							
Operating temperature range	-25~80°C							

### Dimensions

#### QTYH-08\10\15



#### QTYH-20\25



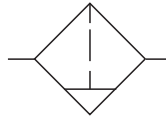


### Ordering code

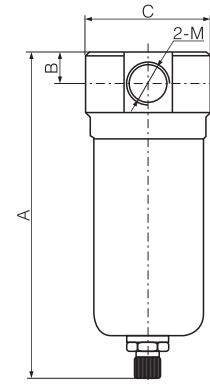
<b>QSLH</b>	
<b>Model</b>	
QFRH	High pressure filter

<b>15</b>	
<b>Port size</b>	
08	G1/4" 25 G1"
10	G3/8" 32 G1¼"
15	G1/2" 40 G1½"
20	G3/4" 50 G2"

### Symbol



### Dimensions



Bore	A	B	C	M
10	160	15	60	G3/8
15	160	15	60	G1/2
20	215	75	90	G3/4
25	215	75	90	G1

### Specification

Model	QFLH-08	QFLH-10	QFLH-15	QFLH-20	QFLH-25	QFLH-32	QFLH-40	QFLH-50
Operating fluid	Air							
Joint pipe bore	G1/4	G3/8	G1/2	G3/4	G1	G1¼	G1½	G2
Filter precision	20µm or 40µm							
Range of adjustable pressure	0.15~4.0MPa							
Max. input pressure	4MPa							
Operating temperature range	5~80°C							

## QFRH Series High Pressure Fitter & Regulator

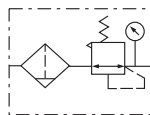
### Ordering code

<b>QFRH</b>	
<b>Model</b>	
QFRH	High pressure fitter & regulator

<b>15</b>	
<b>Port size</b>	
08	G1/4" 25 G1"
10	G3/8" 32 G1¼"
15	G1/2" 40 G1½"
20	G3/4" 50 G2"



### Symbol



### Specification

Model	QFRH-08	QFRH-10	QFRH-15	QFRH-20	QFRH-25	QFRH-32	QFRH-40	QFRH-50
Operating fluid	Air							
Joint pipe bore	G1/4	G3/8	G1/2	G3/4	G1	G1¼	G1½	G2
Filter precision	20µm or 40µm							
Range of adjustable pressure	0.05~3.5MPa							
Max. input pressure	4MPa							
Operating temperature range	-25~+80°C							

### Dimensions

