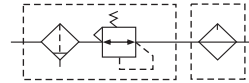


Symbol



Ordering code

AW		2000	02	D	
Model		Port size		Drain method	
AW	A Series Filter & regulator	M5	M5	Blank	Manual drain
Series code		02	1/4"	A	Semi-auto drain
1000	1000 Series	03	3/8"	D	Automatic drain
2000	2000 Series	04	1/2"		
3000	3000 Series	06	3/4"		
4000	4000 Series	10	1"		
5000	5000 Series				

Specification

Model	Manual drain	AW1000-M5	AW2000-02	AW3000-02	AW3000-03	AW4000-03	AW4000-04	AW4000-06	AW5000-06	AW5000-10
	Automatic drain	AW1000-M5D	AW2000-02D	AW3000-02D	AW3000-03D	AW4000-03D	AW4000-04D	AW4000-06D	AW5000-06D	AW5000-10D
Port size		M5×8	1/4	1/4	3/8	3/8	1/2	3/4	3/4	1
Pressure gauge size		1/16	1/8	1/8	1/8	1/8	1/4	1/4	1/4	1/4
Rated flow(L/min)		100	550	2000	2000	4000	4000	4500	5000	5000
Proof pressure		1.5MPa{15.3kgf/cm ² }								
Max. pressure		1.0MPa{10.2kgf/cm ² }								
Temperature range		5~60°C								
Filtering grade		5μm								
Recommended oil		Turbine No. 1 oil ISO VG32								
Cup material		Polycarbonate								
Cup protective cover		AW1000~2000(Without) AW3000~5000(With)								
Pressure range		AW1000: 0.05-0.7MPa(0.51~7.1kgf/cm ²); AW2000~5000: 0.05~0.85MPa(0.51~8.7kgf/cm ²)								
Valve type		With overflow								
Assembly	Manual drain	C100F	C200F	C300F	C300F	C400F	C400F	-	-	-
	Automatic drain	AD61	AD62	AD43	AD43	AD44	AD44	-	-	-
Weight(kg)		0.09	0.36	0.56	0.56	1.15	1.15	1.21	1.7	1.7

Note: 1. there are 2, 10, 20, 40, 70, 100μm to choose from.

2. Standard automatic drainage for normally open(N.O.), AW3000~5000 also has normally closed(N.C.)to choose from, and the lowest use pressure: normally open -0.1MPa(1kgf/cm²), normally closed -0.15MPa(1.5kgf/cm²).

3. Supply pressure is 0.7MPa(7.1kgf/cm²)case.

Main parts

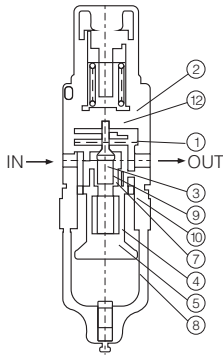
No.	Name	Material			Note
		AW1000~2000	AW3000	AW4000/AW4000-06	
1	Valve body	Zinc die casting	Aluminum die casting	Aluminum die casting	Platinum Plated Silver
2	Valve cover	Metaldehyde		Aluminum die casting	Black plated

Parts list

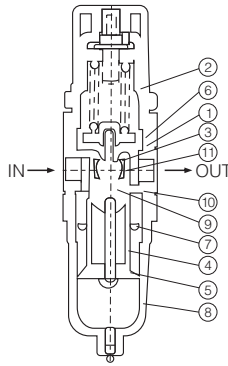
No.	Parts name	Material	Parts No.				
			AW1000	AW2000	AW3000	AW4000	AW4000-06
3	Valve assembly	Brass NBR					
4	Filter	Resin					
5	Partition	ABS					
6	Diaphragm assembly	NBR					
7	Deflector	ABS					
8	Cup assembly	Polycarbonate					
9	Valve spring	Stainless steel					
10	Shell O seal ring	NBR					
11	Valve type O sealing ring	NBR					
12	MY type seal ring	NBR					
13	O type seal ring	NBR					

Inner structure

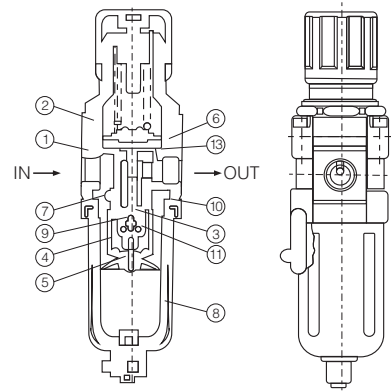
AW1000



AW2000

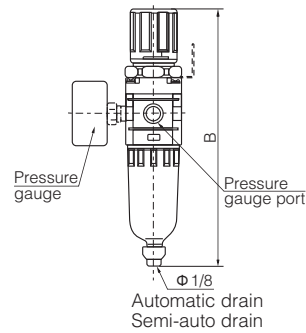
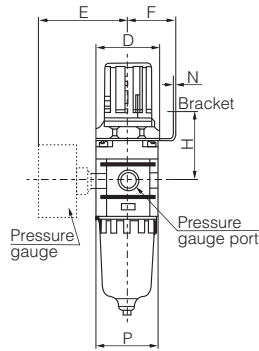
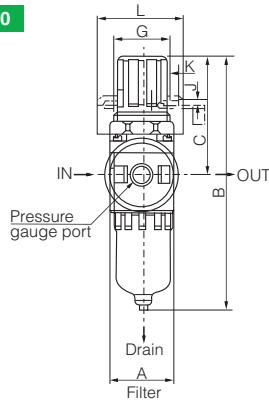


AW3000\4000



Dimensions

AW1000~2000

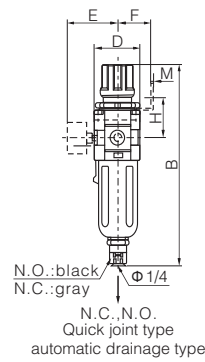
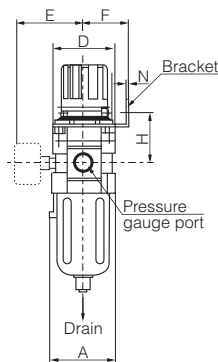
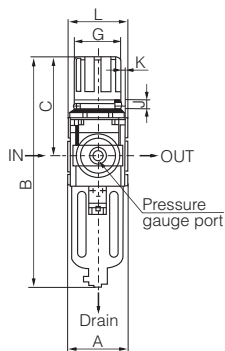


Panel cutting hole

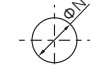


AW1000:
Max thickness 3.5
AW2000:
Max thickness 5

AW3000~5000



Panel cutting hole



AW3000~AW5000:
Max thickness 5

Model	Port size	A	B	C	D	E	F	G	H	J	K	L	M	N	P	B(Automatic drain)
AW1000	M5×0.8	25	109.5	50.5	25	26	25	28	30	4.5	6.5	40	2.0	20.5	28	130
AW2000	1/4	40	164.5	78	40	56.8	30	30	45	5.4	15.4	55	2.3	33.5	40	187.5
AW3000	1/4-3/8	53	211	92.5	53	60.8	41	40	46	6.5	8.0	53	2.3	42.5	56	248.5
AW4000	3/8-1/2	70	262.5	112	70	70.5	50	54	54	8.5	10.5	70	2.3	52.5	73	300
AW4000-06	3/4	75	267	114	70	70.5	50	54	56	8.5	10.5	70	2.3	52.5	73	304
AW5000	3/4-1	90	338	116	90	75.5	49.2	54	62	8.5	10.5	70	2.3	52.5	90	-