



### Specifications

Ambient temperature range: -10°C to 60°C  
 Pilot fluid temperature range: -10°C to 60°C  
 Maximum allowable pressure: 16 bar  
 Maximum viscosity: 600 cst (mm<sup>2</sup>/s)<sup>1)</sup>  
 Ambient and fluid: Air, water, oil and light viscosity fluid  
 Maximum pilot pressure: 10 bar  
 Pilot fluid: Filtered air  
 Valve body material: SS304/316/316L  
 Stuffing box housing material: Aluminium  
 Actuator material: Aluminium  
 Stem/Disc material: SS304  
 Wiper seal: FPM  
 Disc seal: PTFE  
 1) For higher viscosity applications, please consult AXM.

### Product feature

2/2-way Globe control valve,  
 Pneumatically operated, for medium up to +150°C,  
 Threaded port connection DN 15-65

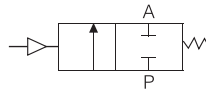
1. Classical design, Long life cycle;
2. NC, NO or double acting liberty is optional
3. Structure in coaxial stop, leakage proof and high flow rate
4. Saving energy

### product mix

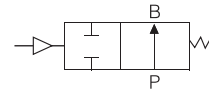
GV500 series external pilot control valve, driven by a piston actuator of single or double action, is superior in its simple construction, sensitive response and reliable operation, etc

### Symbol

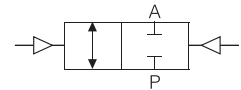
**Control function A**  
 (closed by spring force  
 in rest position)



**Control function B**  
 (open in rest position)



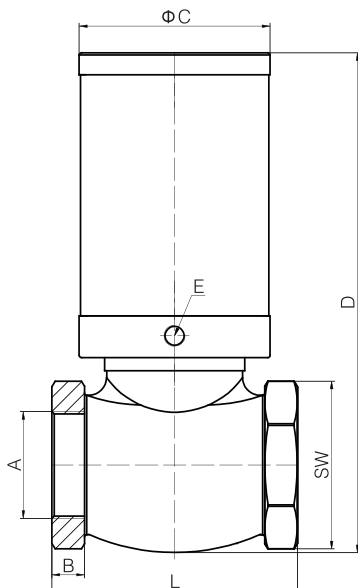
**Control function I**  
 (double-acting actuator)



### Actuator Size

Port size	Standard actuator size (mm)	Big actuator size (mm)
DN15	25	32
DN20	25	32
DN25	32	40
DN32	40	50
DN40	50	63
DN50	63	80
DN65	80	100

### Dimensions



GV500A (big actuator)							
Order code	A	B	ΦC	D	E	L	SW
GV500A015	1/2	12	31	102	G1/8	57	26
GV500A020	3/4	12	38	120	G1/8	67	35
GV500A025	1	12	46	138	G1/8	72	42
GV500A032	1 ¼	16	56	154	G1/8	85	50
GV500A040	1 ½	16	69	178	G1/8	98	56
GV500A050	2	22	87	229	G1/8	112	68
GV500A065	2 ½	22	108	260	G1/4	138	84