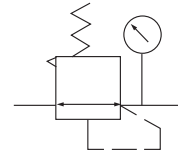


# QTYH Series

Preparation nut -- High Pressure Regulator

High Pressure Regulator

## Symbol



## Ordering code

<b>QTYH</b>
<b>Model</b>
QTYH   High pressure regulator

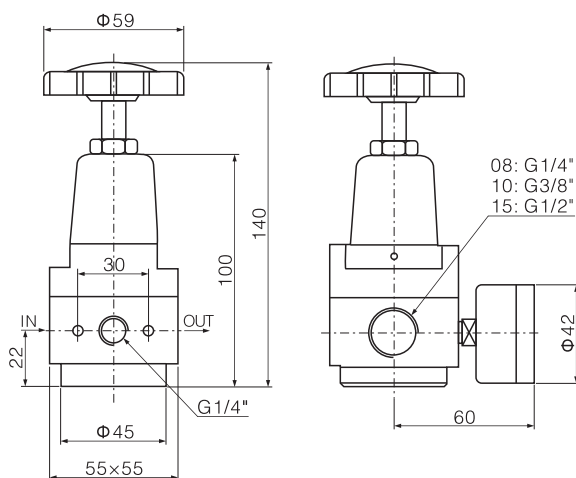
<b>15</b>
<b>Port size</b>
08 G1/4"
10 G3/8"
15 G1/2"
20 G3/4"
25 G1"
32 G1 1/4"
40 G1 1/2"
50 G2"

## Specification

Model	QTYH-08	QTYH-10	QTYH-15	QTYH-20	QTYH-25	QTYH-32	QTYH-40	QTYH-50
Operating fluid	Air							
Joint pipe bore	G1/4	G3/8	G1/2	G3/4	G1	G1 1/4	G1 1/2	G2
Range of adjustable pressure	0.05MPa~3.5MPa							
Max. input pressure	4MPa							
Operating temperature range	-25~80°C							

## Dimensions

QTYH-08\10\15



QTYH-20\25

