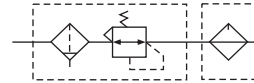




Symbol



Ordering code

AC	2000	02	D
Model	Port size		Drain method
AC A Series F.R.L. unit	M5	M5	Blank Manual drain
Series code	02	1/4"	A Semi-auto drain
1000 1000 Series	03	3/8"	D Automatic drain
2000 2000 Series	04	1/2"	
3000 3000 Series	06	3/4"	
4000 4000 Series	10	1"	
5000 5000 Series			

Specification

Model	Manual drain	AC1000-M5	AC2000-02	AC3000-02	AC3000-03	AC4000-03	AC4000-04	AC4000-06	AC5000-06	AC5000-10
	Automatic drain	AC1000-M5D	AC2000-02D	AC3000-02D	AC3000-03D	AC4000-03D	AC4000-04D	AC4000-06D	AC5000-06D	AC5000-10D
Port size		M5×8	1/4	1/4	3/8	3/8	1/2	3/4	3/4	1
Pressure gauge size		1/16	1/8	1/8	1/8	1/4	1/4	1/4	1/4	1/4
Rated flow(L/min)		90	500	2000	2000	4000	4000	4500	5000	5000
Proof pressure		1.5MPa{15.3kgf/cm ² }								
Max. pressure		1.0MPa{10.2kgf/cm ² }								
Temperature range		5~60°C								
Filtering grade		5μm								
Recommended oil		Turbine No. 1 oil ISO VG32								
Cup material		Polycarbonate								
Cup protective cover		AC1000~2000(Without) AC3000~5000(With)								
Pressure range		AC1000: 0.05-0.7MPa(0.51~7.1kgf/cm ²); AC2000~5000: 0.05~0.85MPa(0.51~8.7kgf/cm ²)								
Valve type		With overflow								
Assembly	Filter	AF1000	AF2000	AF3000	AF3000	AF4000	AF4000	AF4000	AF5000	AF5000
	Regulator	AR1000	AR2000	AR3000	AR3000	AR4000	AR4000	AR4000	AR5000	AR5000
	Lubricator	AL1000	AL2000	AL3000	AL3000	AL4000	AL4000	AL4000	AL5000	AL5000
Weight(kg)		0.26	0.74	1.18	1.18	2.14	2.14	2.47	3.82	3.82

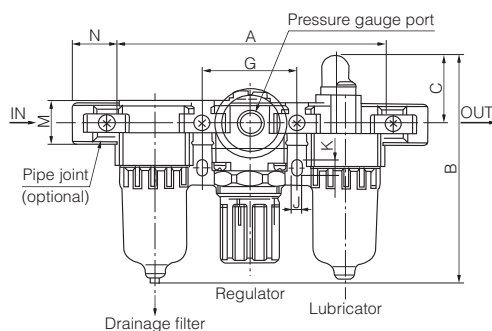
Note: 1. there are 2, 10, 20, 40, 70, 100μm to choose from.

2. Standard automatic drainage for normally open(N.O.), AC3000~5000 also has normally closed(N.C.)to choose from, and the lowest use pressure: normally open -0.1MPa(1kgf/cm²), normally closed -0.15MPa(1.5kgf/cm²).

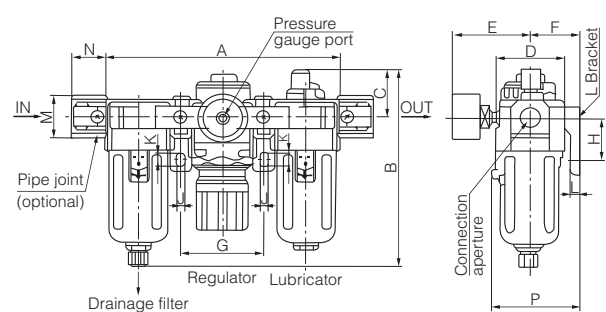
3. Supply pressure is 0.7MPa(7.1kgf/cm²)case.

Dimensions

AC1000-2000



AC3000-5000



Model	Port size	A	B	C	D	E	F	G	H	J	K	L	M	N	P	B(Automatic drain)
AC1000	M5×0.8	91	84.5	25.5	25	26	25	33	20	4.5	7.5	5	17.5	16	38.5	105
AC2000	1/4	140	125	38	40	56.8	30	50	24	5.5	8.5	5	22	23	50	147.5
AC3000	1/4-3/8	181	156.5	38	53	60.8	41	64	35	7	11	7	34.2	26	70.5	194
AC4000	3/8-1/2	238	191.5	41	70	65.5	50	84	40	9	13	7	42.2	33	88	229
AC4000-06	3/4	253	193	40.5	70	69.5	50	89	40	9	13	7	46.2	36	88	230.5
AC5000	3/4-1	300	271.5	48	90	75.5	70	105	50	12	16	10	55.2	40	115	309.5