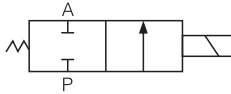




#### Symbol



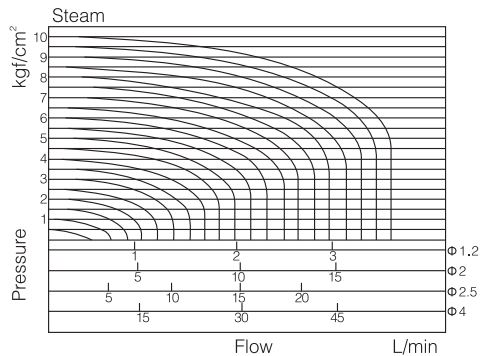
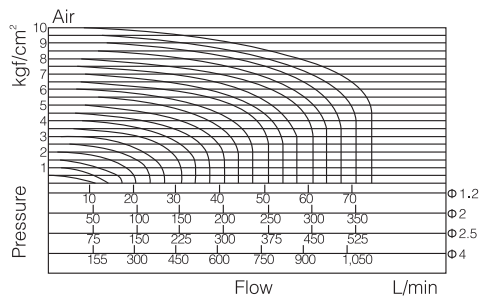
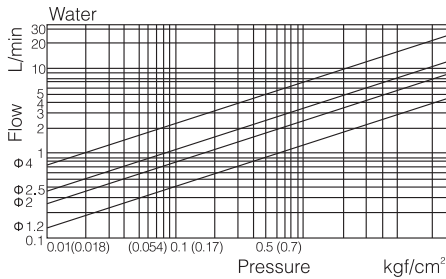
#### Specifications

Model	2WH012-06	2WH012-08	2WH020-10
Work medium	Air, Water, Oil, Gas		
Operation	Direct Acting		
Acting type	Normally Closed		
Orifice size(mm)	1.2		2
Cv value	0.05		0.15
Port size	G1/8"	G1/4"	G3/8"
Operation fluid viscosity	20 CST Below		
Operating pressure	Air, Water, Oil: 0~2.0MPa		
Max. pressure resistance	3.5MPa		
Operating temperature	NBR for -5~80°C and VITON for -5~150°C		
Voltage range	± 10%		
Material of body	Stainless steel or brass		
Material of oil seal	NBR, EPDM or VITON		

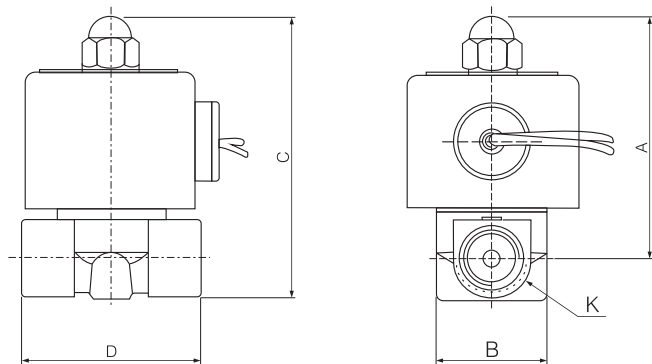
#### Ordering code

Model	Orifice size	Port size	Material of body	Coil form	Sealing material	Standard voltage
2WH	012 1.2mm	06 G1/8"	Blank Brass	Blank Round coil	Blank NBR	DC12V
2WH	020 2mm	08 G1/4"	B Stainless steel	S Square coil IP65	E EPDM	DC24V
	025 2.5mm	10 G3/8"			V VITON	AC24V 50Hz/60Hz
	040 4mm				S SI	AC110V 50Hz/60Hz
						AC220V 50Hz/60Hz
						AC380V 50Hz/60Hz

#### Flow chart



#### Dimensions



#### Dimension sheet

Model	A	B	C	D	K
2W025-06	62.5	30	71.5	40.5	G1/8"
2W025-08	62.5	30	71.5	40.5	G1/4"
2W040-10	70	32	80	55	G3/8"
2WH012-06	62.5	30.3	71.5	40.5	G1/8"
2WH012-08	62.5	30.3	71.5	40.5	G1/4"
2WH020-10	70	32.2	80	52.5	G3/8"