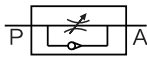




Symbol



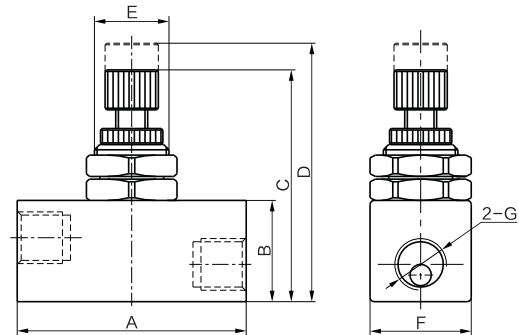
Ordering code

RE		01	<input type="checkbox"/>
Model		Port size	Thread type
RE	Flow control valve	01 PT1/8	Blank PT
		02 PT1/4	G G
		03 PT3/8	T NPT
		04 PT1/2	

Specifications

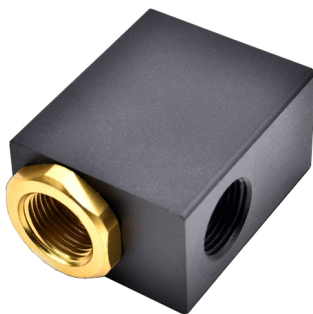
Model	RE-01	RE-02	RE-03	RE-04
Fluid	Air(to be filtered by 40 µm filter element)			
Port size	PT1/8	PT1/4	PT3/8	PT1/2
Pressure range	0~0.95MPa(0~135psi)			
Temperature °C	-5~60(28~140° F)			

Dimensions

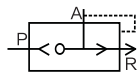


Model/Item	A	B	C	D	E	F	G
RE-01	43	19	43	49	M14×1	19	PT1/8
RE-02	43	19	43	49	M14×1	19	PT1/4
RE-03	53	26	54	60	M18×1	26	PT3/8
RE-04	53	26	54	60	M18×1	26	PT1/2

QE Series Fast Exhaust Valve



Symbol



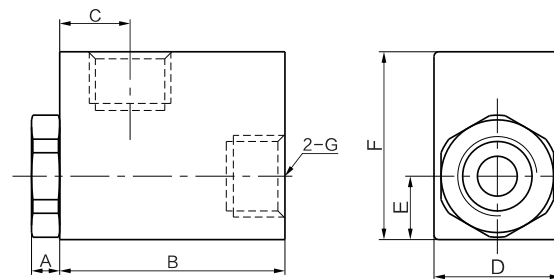
Ordering code

QE		01	<input type="checkbox"/>
Model		Port size	Thread type
QE	Fast exhaust valve	01 PT1/8	Blank PT
		02 PT1/4	G G
		03 PT3/8	T NPT
		04 PT1/2	

Specifications

Model	QE-01	QE-02	QE-03	QE-04
Fluid	Air(to be filtered by 40 µm filter element)			
Port size	PT1/8	PT1/4	PT3/8	PT1/2
Pressure range	0~0.95MPa(0~135psi)			
Temperature °C	-5~60(28~140° F)			

Dimensions



Model/Item	A	B	C	D	E	F	G
QE-01	4	35	10.5	18	9	27	PT1/8
QE-02	6	48	15	27	13.5	40	PT1/4
QE-03	6	48	15	27	13.5	40	PT3/8
QE-04	6	48	15	27	13.5	40	PT1/2